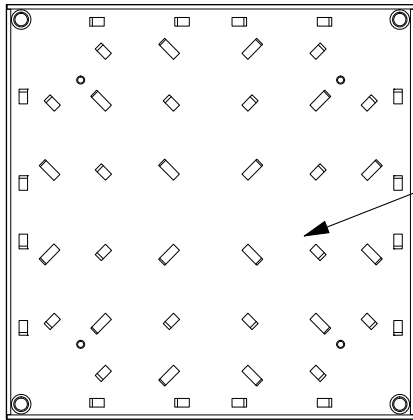


Top View

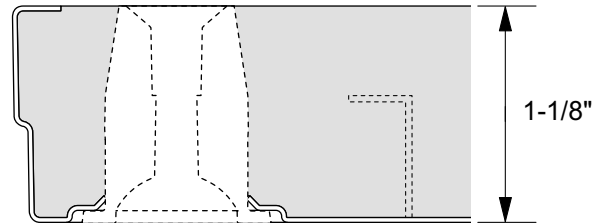
Lightweight High-strength Concrete (Bare Finish)



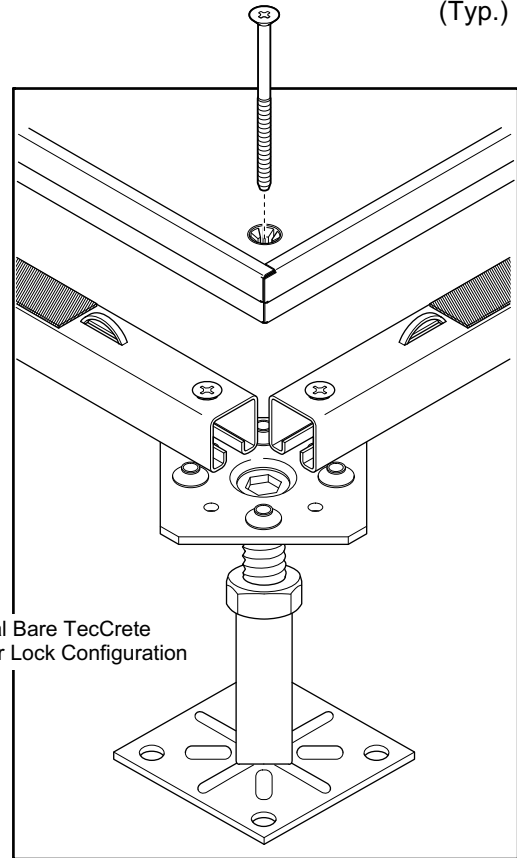
Bottom View

Galvanized Steel

Corner Lock Panel
Corner Section (Full Insert)



Shear Tab (Typ.)



Typical Bare TecCrete
Corner Lock Configuration

Specifications:

Lightweight High-strength Concrete
Hot-dipped Galvanized Steel
Panel Size (Nominal): 24" x 24" 1-1/8"
Finished Floor Height: 3" to 91"
Overall Pedestal Adjustment: ±1" height (FFH>6")
Tolerance: Nominal panel size ±0.015"; flatness & squareness within ±0.015"

Tec-Crete performance ratings

Rolling loads are expressed in pounds per caster; all other data is stated in maximum pounds of load and inches of deflection or permanent set.
Total System Weight = 11.92 lbs./sq. ft. (@ 15" FFH).

Key to performance ratings

Haworth has tested its flooring system to "Recommended Test Procedures for Access Flooring"--Ceiling and Interior Systems Construction Association (CISCA). Uniform and Impact tests have also been conducted. Stringers are edge supporting. Testing reflects weakest point, top surface deflection in accordance with CISCA.

- 1.) Uniform load data is based on maximum deflection of 0.040". Typical slabs under access floors have uniform load capacities less than the rating of lowest uniform load capacity of any TecCrete series floor.
- 2.) Rolling tests used in the CISCA test procedures are performed as follows: 10 passes with a 3" x 1-13/16" caster; 10,000 passes with a 6" x 2" caster. Worst-case permanent set (inches) is shown for each system.
- 3.) Impact tests are based on 36" drops onto a 1 inch square indenter without ultimate failure of the system.

Rolling ²		Impact ³	Concentrated	Uniform ¹	Ultimate
Stringerless		Stringerless	Stringerless	Stringerless	Stringerless
10 passes	10,000 Passes		PSI	PSF	PSI
1500<.200	1250<.040	150	1500<.10	700<.040	2500

Haworth
One Haworth Center, MI 49423