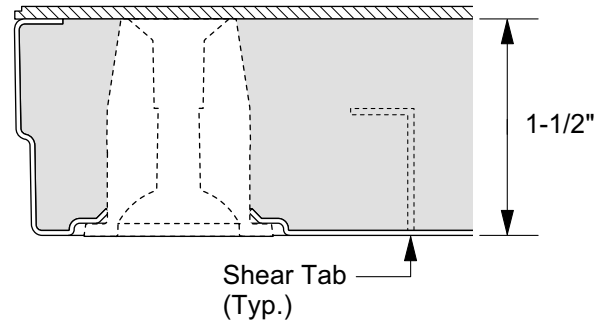


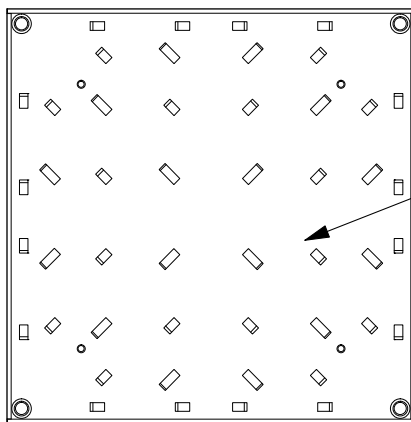
Top View

Laminate Cover
over Lightweight
High-strength
Concrete



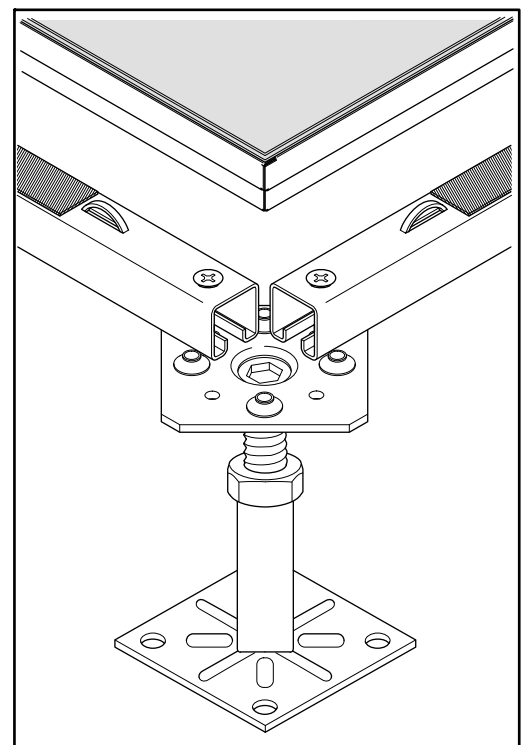
Shear Tab
(Typ.)

1-1/2"



Bottom View

Galvanized
Steel



Typical Laminated TecCrete
Stringer Supported Configuration

Specifications:

Lightweight High-strength Concrete
Hot-dipped Galvanized Steel
Panel Size (Nominal): 24" x 24" 1-1/8"
Finished Floor Height: 3" to 91"
Overall Pedestal Adjustment: ±1" height (FFH>6")
Tolerance: Nominal panel size ±0.015"; flatness & squareness within ±0.015"

Tec-Crete performance ratings

Rolling loads are expressed in pounds per caster; all other data is stated in maximum pounds of load and inches of deflection or permanent set.
Total System Weight = 15.4 lbs./sq. ft. (@ 15" FFH).

Key to performance ratings

Haworth has tested its flooring system to "Recommended Test Procedures for Access Flooring"--Ceiling and Interior Systems Construction Association (CISCA). Uniform and Impact tests have also been conducted. Stringers are edge supporting. Testing reflects weakest point, top surface deflection in accordance with CISCA.

- 1.) Uniform load data is based on maximum deflection of 0.040". Typical slabs under access floors have uniform load capacities less than the rating of lowest uniform load capacity of any TecCrete series floor.
- 2.) Rolling tests used in the CISCA test procedures are performed as follows: 10 passes with a 3" x 1-13/16" caster; 10,000 passes with a 6" x 2" caster. Worst-case permanent set (inches) is shown for each system.
- 3.) Impact tests are based on 36" drops onto a 1 inch square indenter without ultimate failure of the system.

Rolling ²		Impact ³	Concentrated PSI	Uniform ¹ PSF	Allowable	Safety Factor
10 passes	10,000 Passes					
2000≤.040	2000<.040	150	2500<.10	900<.040	3800 lbs	5 times

Haworth
One Haworth Center, MI 49423